

INSTRUCTIONS AND REPAIR PARTS LIST

410BRO 10 HOLE ROLL-OUT NEST

OUR 410BRO 10 HOLE ROLL-OUT NEST CAN ROLLOUT FROM EITHER THE FRONT OR THE BACK. SEE PAGES 3,4, AND 5.

READ ALL DIRECTIONS CAREFULLY BEFORE BEGINNING INSTALLATION

TOOLS REQUIRED: Straight Blade Screwdriver, Phillips Head Screwdriver, Small Adjustable Wrench, Center Punch

⚠ CAUTION ⚠

SHARP EDGES, ALWAYS WEAR GLOVES

ALL EDGES EXPOSED TO BIRDS ARE HEMMED. CERTAIN EDGES, HOWEVER, ARE NOT HEMMED. THESE EDGES MAY BE SHARP. ALWAYS WEAR GLOVES WHEN ASSEMBLING AND MOVING THE UNIT.

410BRO Parts List

Ref. No.	Part No.	Description	Qty	Repair
1	410727RO	Back Panel (LABELED 1)	2	*
2	410725R01	Roll-Out Support Panel (LABELED 3)	2	*
3	410725R02	Roll-Out Nest Retainer (LABELED 4)	2	*
4	410711RO	Right Partition	1	*
5	410713RO	Left Partition	5	*
6	410729	Roof Panel	1	*
7	410731	Perch Board	3	*
8	410734	Short Perch Assembly	2	*
9	410735	Long Perch Assembly	2	*
410732RO - 410BRO Hardware Bag Contains Ref. No. 12-16.				
10	410719	Hanger Bracket	2	*
11	OF181	1/4"-20 x 1-1/2" Hex Bolt	12	
12	OF335	1/4"-20 Whiz Hex Nut	12	
13	OF214	10-24 x 1/2" Slotted Round Head Machine Bolt	86	
14	OF53	10-24 Machine Nut	86	
15	410BROB	Plastic Roll-Out Nest Tray	10	*

Parts available for repair have an asterisk (*) in the repair column.

MODEL NUMBER

The MODEL NUMBER is: 410BRO 10 HOLE ROLL-OUT NEST

WHEN ORDERING PARTS

- (1) Show MODEL NUMBER and NAME: Example - 410BRO 10 HOLE ROLL-OUT NEST
- (2) Show PART NUMBER and FULL DESCRIPTION of part: Example - 410731 Perch Board

HOW TO ORDER PARTS

Repair Parts may be ordered from your dealer.

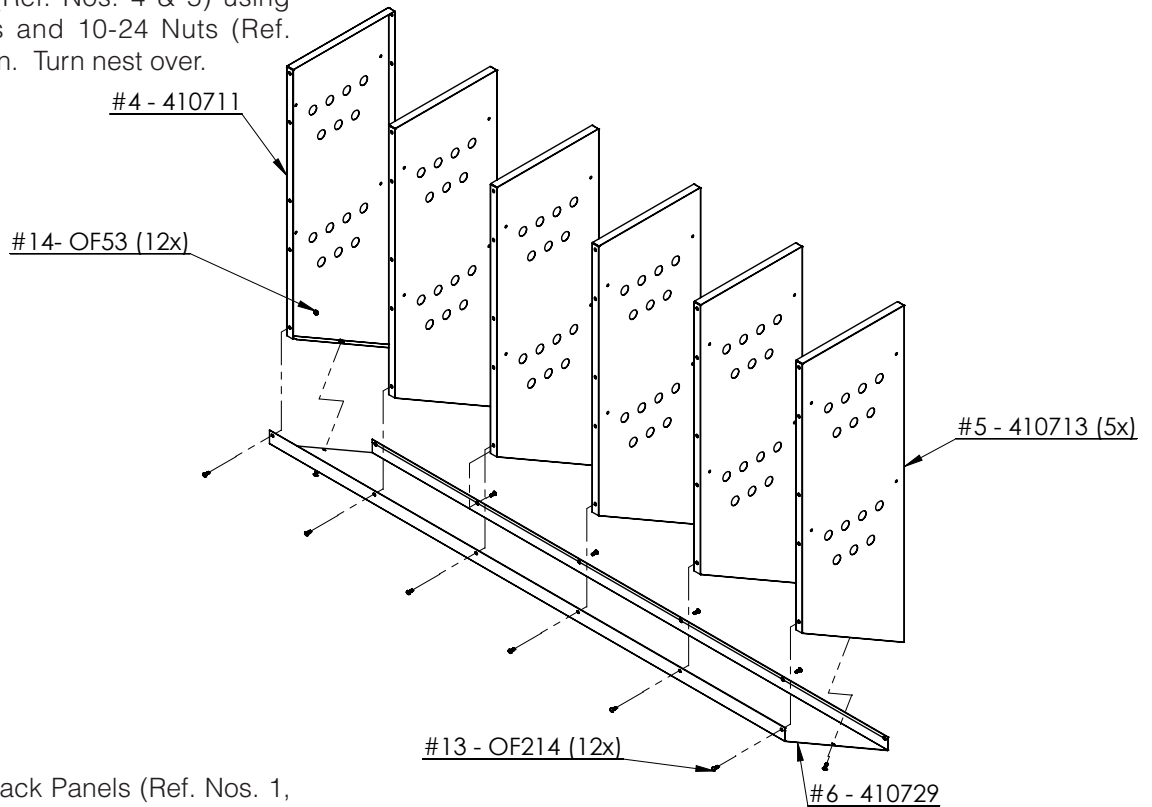


ASSEMBLY INSTRUCTIONS

DO NOT TIGHTEN ANY FASTENERS UNTIL INSTRUCTED TO DO SO!

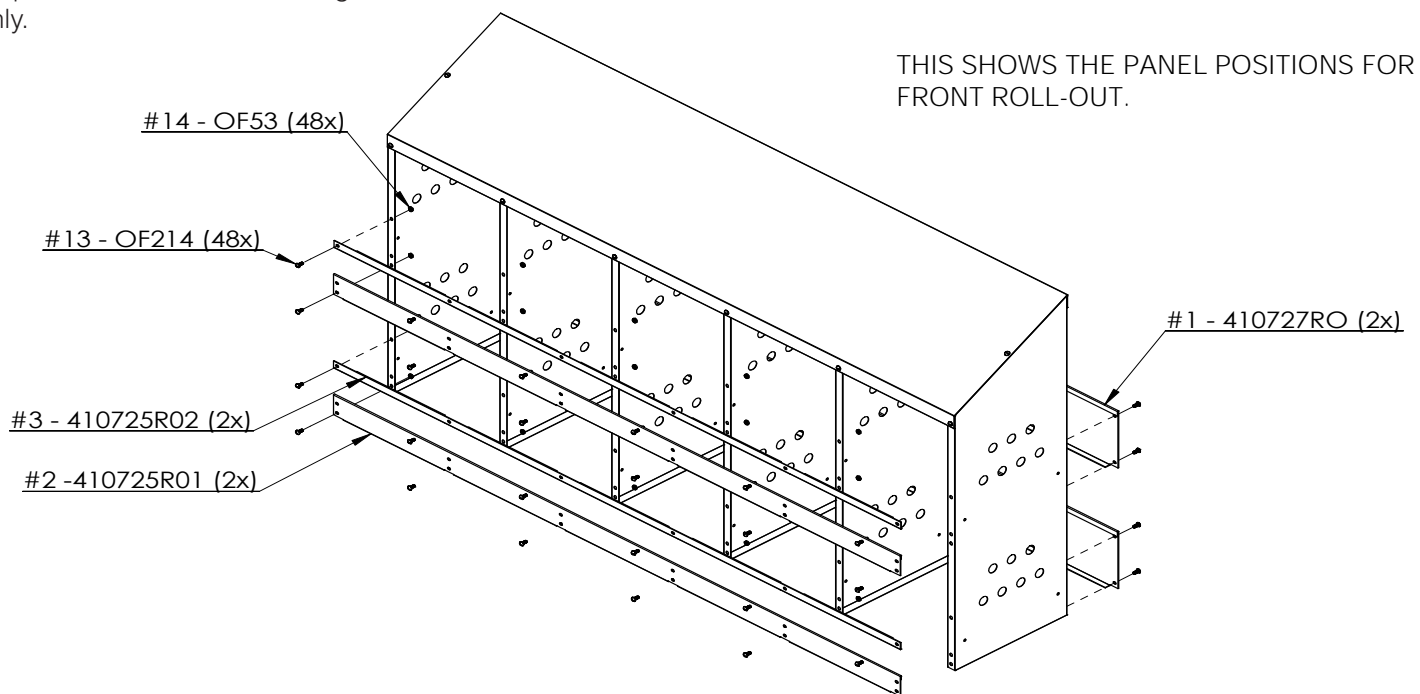
STEP 1

Lay Roof Panel (Ref. No. 6) upside down. Attach all Partitions (Ref. Nos. 4 & 5) using 10-24 Machine Bolts and 10-24 Nuts (Ref. Nos. 13 & 14). Tighten. Turn nest over.



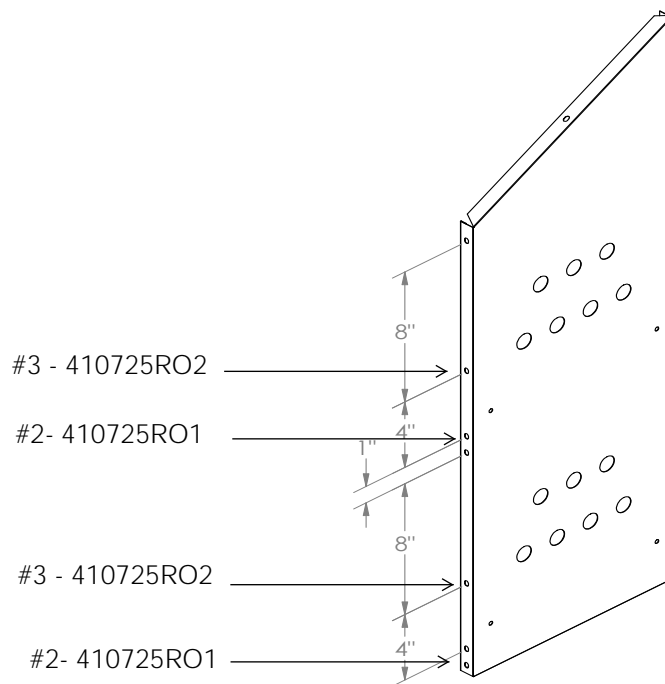
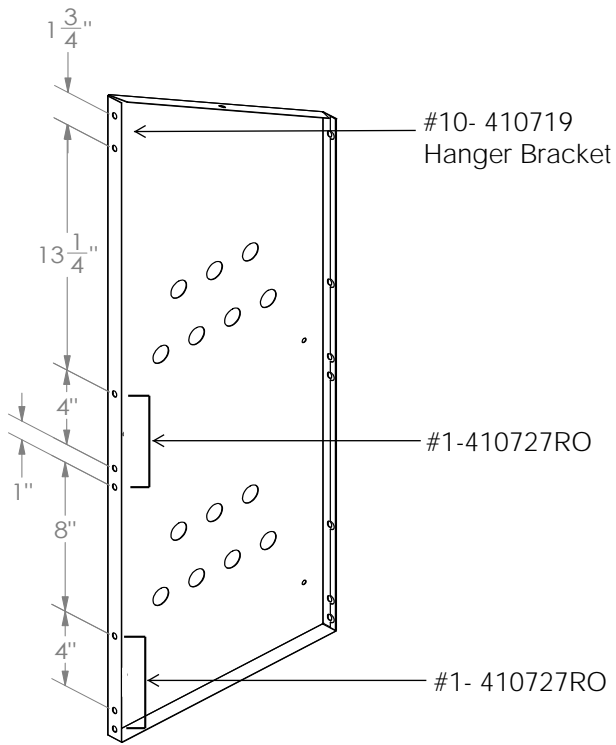
STEP 2

Attach all Front and Back Panels (Ref. Nos. 1, 2, & 3) using 10-24 Machine Bolts and 10-24 Nuts (Ref. Nos. 13 & 14). All Front and Back Panels are individually numbered with the respective Ref. No. Hand tighten fasteners only.



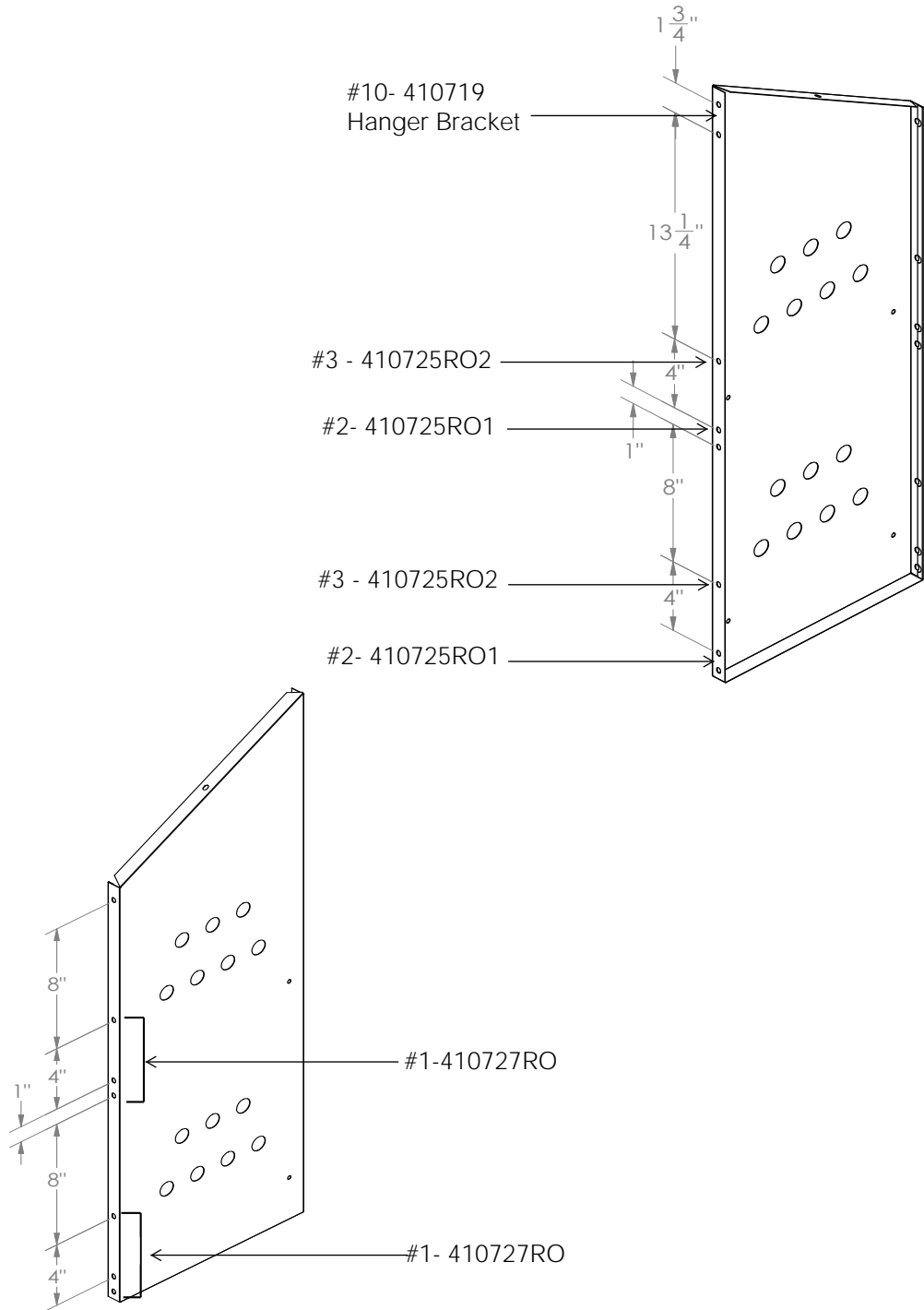
STEP 2A FRONT ROLL-OUT

For front rollout, part 410727RO will be mounted to the tall edge and parts 410725RO1 and 410725RO2 are mounted to the short edge of the partition.



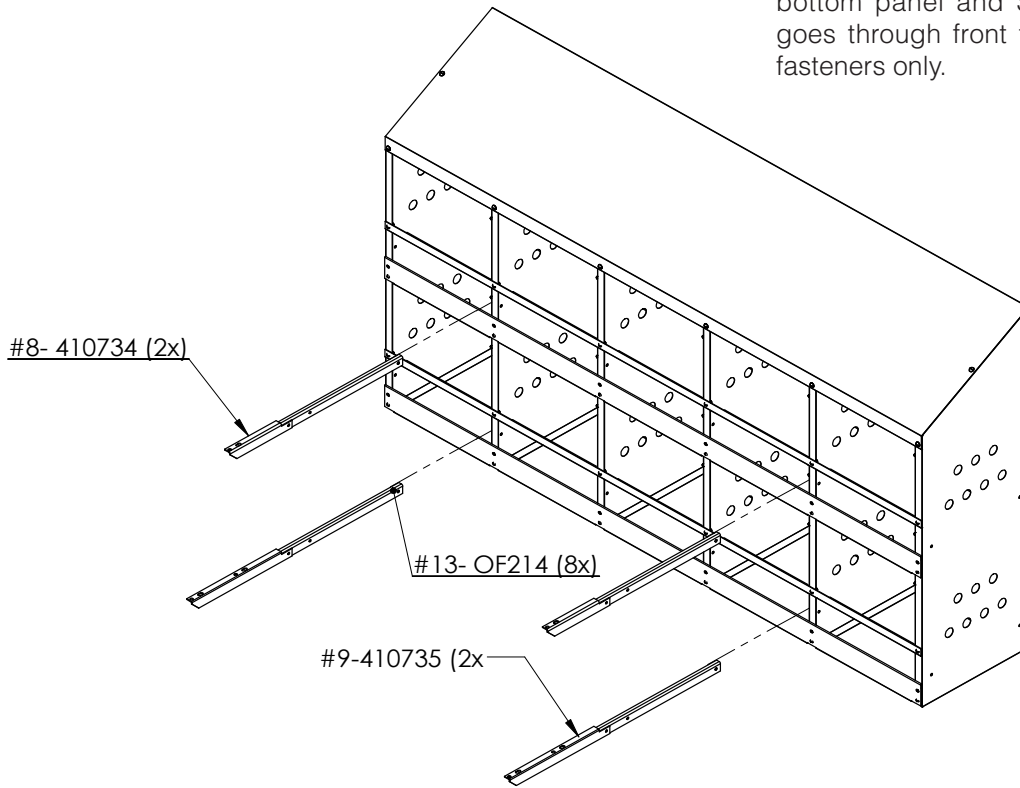
STEP 2B BACK ROLLOUT

For back roll-out, parts 410725RO1 and 410725RO2 are mounted to the tall edge and part 410727RO will be mounted to short edge of partition.



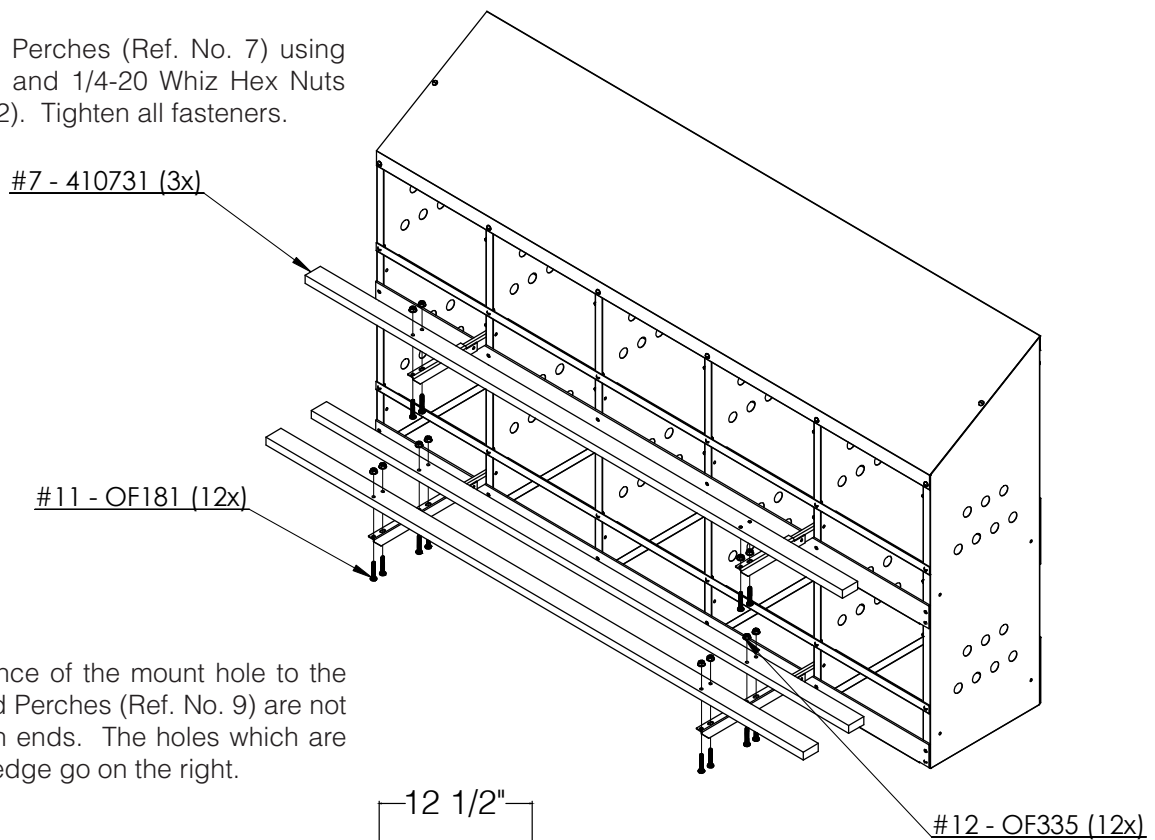
STEP 3

Attach Long and Short Perch Assemblies (Ref. Nos. 8 & 9) using 10-24 Machine Bolts and 10-24 Nuts (Ref. Nos. 13 & 14). The Long Perch (Ref. No. 9) goes through front bottom panel and Short Perch (Ref. No. 8) goes through front top panel. Hand tighten fasteners only.

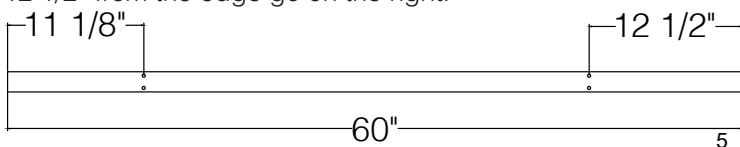


STEP 4

Attach the Wood Perches (Ref. No. 7) using 1/4-20 Hex Bolts and 1/4-20 Whiz Hex Nuts (Ref. Nos. 11 & 12). Tighten all fasteners.

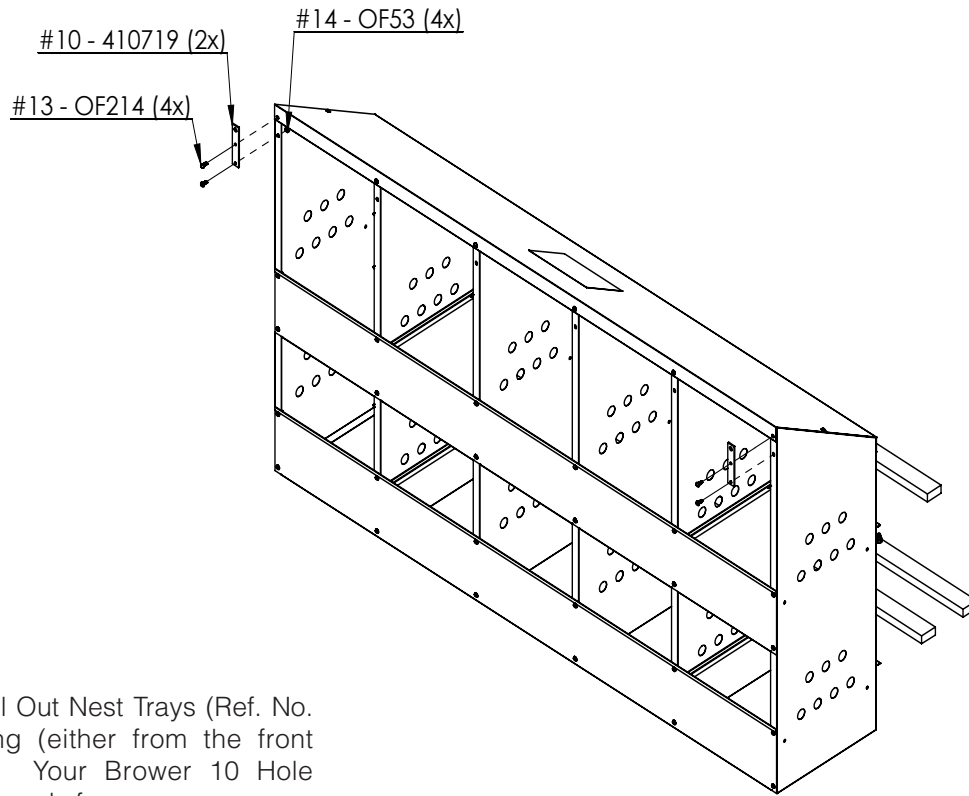


NOTE: The distance of the mount hole to the edge of the Wood Perches (Ref. No. 9) are not the same on both ends. The holes which are 12 1/2" from the edge go on the right.



STEP 5

Attach Hanger brackets (Ref. No. 10) to the back of both corners using 10-24 Machine Bolts and 10-24 Nuts (Ref. Nos. 13 & 14). Tighten all fasteners.



STEP 6

Insert the Plastic Roll Out Nest Trays (Ref. No. 15) in each opening (either from the front or from the back). Your Brover 10 Hole Roll-Out Nest is now ready for use.

